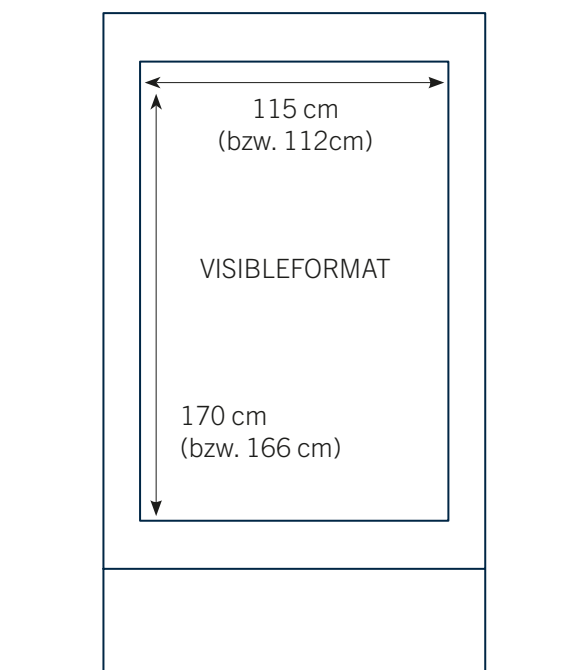


# Technical Specifications

## SIX SHEETS



<b>Paper format</b>	118.5 cm x 175 cm (W x H), visible area, centred: 115 cm x 170 cm (W x H), divergent dimensions apply in Hamburg and Cologne: 112 cm x 166 cm (W x H)
<b>Paper</b>	135–150 g/m2 matt white-coated specially produced high-quality art paper for backlighting
<b>Printing</b>	Offset or digital printing, recommendation: two-sided color printing over complete surface Please contact the print shop for more precise specifications
<b>Delivery</b>	Posters should be delivered as 1-piece and must be received at the proper delivery address(es) at the latest 14 days prior to the posting start date; posters should be cut to the correct format, should be grouped by image, should be placed face down on a palette, and should be on separate palettes for each customer. Separate palettes should also be used if there are more than 100 sheets per medium; max. of 1,500 sheets per palette.  Posters are stored on the pallets used for shipping until further processing/posting. For this reason, we reserve the right to refuse acceptance of posters delivered on defective pallets.
<b>Backup posters</b>	10% per poster image and city; for 1–30 posters, 20% per image and city



Technical Specifications

# DELIVERY INFORMATION FOR SIX SHEETS AND BACKLIGHT COLUMN



CITY	NETWORK	Required poster quantities (including 10/20% backup posters)			DELIVERY ADDRESS
		8/1	4/1	only 4/1	
Baden-Baden/Rastatt	100			110	A
	60			66	
Berlin	1,500			1,650	F
Subway	1,000			1,100	
Subway	750			825	
	250			275	
	125			138	
Bremen	450	3	491	495	A
	225	2	245	248	
Dortmund		26			A
Dresden	410			450	F
	205			225	
Düsseldorf	510			561	A
	300			330	
Freiburg im Breisgau	140	40	75	154	A
	90	31	38	99	
Hamburg Airport	1000			1100	F
	840			924	
	600			660	
	500			550	
	30			33	
Kaiserslautern	100			110	
	50			55	
Karlsruhe	100	20	66	66	A
Cologne	740			814	A
	400			440	
Lübeck	200	33	154	220	F
	100	17	77	110	
Ludwigshafen	170	14	156	187	A
	115	8	110	127	

# DELIVERY INFORMATION FOR SIX SHEETS AND BACKLIGHT COLUMN



CITY	NETWORK	Required poster quantities (including 10/20% backup posters)			DELIVERY ADDRESS
		8/1	4/1	only 4/1	
Mannheim	285			314	A
	140			154	
Munich	820	32	840	902	G
	500	24	502	550	
	250	14	250	275	
Nuremberg	400	40	361	440	D
	200	22	180	220	
Potsdam	130	14	117	143	F
	100	7	98	110	
Reutlingen	110	11	101	121	A
	65	8	58	72	
Rostock	240	13	238	264	F
	120	7	119	132	
Saarbrücken	200	5	210	220	A
	100	2	104	220	
Stuttgart	430	13	447	473	A
	215	7	223	237	
Wiesbaden	230	46	167	253	A
	115	23	84	127	

## Technical Specifications

# DELIVERY INFORMATION FOR SIX SHEETS AND BACKLIGHT COLUMN

**WallDecaux**  
Premium Out of Home



	<b>ADDRESS</b>	<b>DELIVERY TIMES</b>
<b>A</b>	Wall GmbH Wankelstraße 20 50996 Köln-Rodenkirchen	Mon–Fri, 7:00 a.m.–3:00 p.m.
<b>D</b>	Stadtreklame Nuremberg Katzwanger Strasse 146 90461 Nuremberg	Mon–Fri, 7:00 a.m.–3:00 p.m.
<b>F</b>	Wall GmbH Holzhauser Straße 153, Einfahrt C, 13509 Berlin	Mon–Fri, 6:00 a.m.–3:00 p.m.
<b>G</b>	DSMDecaux GmbH Schatzbogen 45 81829 Munich	Mon–Thu, 8:00 a.m.–3:00 p.m. Fri, 8:00 a.m.–12 noon