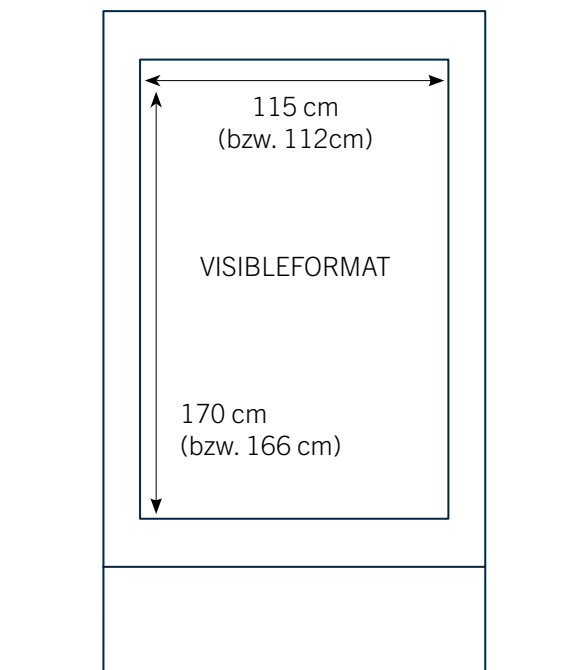


Technical Specifications

SIX SHEETS



Paper format	118.5 cm x 175 cm (W x H), visible area, centred: 115 cm x 170 cm (W x H), divergent dimensions apply in Hamburg and Cologne: 112 cm x 166 cm (W x H)
Paper	135–150 g/m2 matt white-coated specially produced high-quality art paper for backlighting
Printing	Offset or digital printing, recommendation: two-sided color printing over complete surface Please contact the print shop for more precise specifications
Delivery	Posters should be delivered as 1-piece and must be received at the proper delivery address(es) at the latest 14 days prior to the posting start date; posters should be cut to the correct format, should be grouped by image, should be placed face down on a palette, and should be on separate palettes for each customer. Separate palettes should also be used if there are more than 100 sheets per medium; max. of 1,500 sheets per palette. Posters are stored on the pallets used for shipping until further processing/posting. For this reason, we reserve the right to refuse acceptance of posters delivered on defective pallets.
Backup posters	10% per poster image and city; for 1–30 posters, 20% per image and city



Technical Specifications

DELIVERY INFORMATION FOR SIX SHEETS AND BACKLIGHT COLUMN



CITY	NETWORK	Required poster quantities (including 10/20% backup posters)			DELIVERY ADDRESS
		8/1	4/1	only 4/1	
Baden-Baden/Rastatt	100			110	A
	60			66	
Berlin	1,500			1,650	F
Subway	1,000			1,100	
Subway	750			825	
	250			275	
	125			138	
Bremen	450	3	491	495	A
	225	2	245	248	
Dresden	410			450	F
	205			225	
Düsseldorf	510			561	A
	300			330	
Freiburg im Breisgau	140	40	75	154	A
	90	31	38	99	
Hamburg	1000			1100	F
Airport	840			924	
	600			660	
	500			550	
	30			33	
Kaiserslautern	100			110	
	50			55	
Karlsruhe	100	20	66	66	A
Cologne	740			814	A
	400			440	
Lübeck	200	33	154	220	F
	100	17	77	110	
Ludwigshafen	170	14	156	187	A
	115	8	110	127	

DELIVERY INFORMATION FOR SIX SHEETS AND BACKLIGHT COLUMN



CITY	NETWORK	Required poster quantities (including 10/20% backup posters)			DELIVERY ADDRESS
		8/1	4/1	only 4/1	
Mannheim	285			314	A
	140			154	
Munich	820	32	840	902	G
	500	24	502	550	
	250	14	250	275	
Nuremberg	400	40	361	440	D
	200	22	180	220	
Potsdam	130	14	117	143	F
	100	7	98	110	
Reutlingen	110	11	101	121	A
	65	8	58	72	
Rostock	240	13	238	264	F
	120	7	119	132	
Saarbrücken	200	5	210	220	A
	100	2	104	220	
Stuttgart	430	13	447	473	A
	215	7	223	237	
Wiesbaden	230	46	167	253	A
	115	23	84	127	

Technical Specifications

DELIVERY INFORMATION FOR SIX SHEETS AND BACKLIGHT COLUMN

WallDecaux
Premium Out of Home



	ADDRESS	DELIVERY TIMES
A	Wall GmbH Wankelstraße 20 50996 Köln-Rodenkirchen	Mon–Fri, 7:00 a.m.–3:00 p.m.
D	Stadtreklame Nürnberg Katzwanger Strasse 146 90461 Nuremberg	Mon–Fri, 7:00 a.m.–3:00 p.m.
F	Wall GmbH Holzhauser Straße 153, Einfahrt C, 13509 Berlin	Mon–Fri, 6:00 a.m.–3:00 p.m.
G	DSMDecaux GmbH Schatzbogen 45 81829 Munich	Mon–Thu, 8:00 a.m.–3:00 p.m. Fri, 8:00 a.m.–12 noon